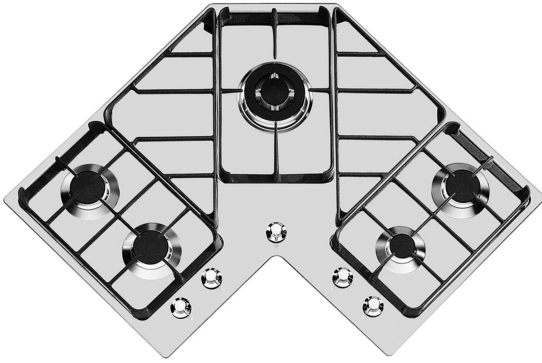


## Cooker hob Angolare 7038 052

Cooker hobs

Code: 7038 052



### DETAILS

Finish Foster brushed

---

Material AISI 304 stainless steel

---

Texture Satin

---

Supply 220-240 V; 50.60 Hz

---

Edge/Installation Type Standard (8 mm Edge)

---

Dimensions 830x830 mm

---

Base size 83cm

---

Full description Angular gas hob 83x83 cm - 5 burners - STD edge - for standard built in installation

---

Heating element Five burners

---

Built-in hole	View technical data sheet (for all Flush-mount / Top-mount models and Under-mount models)
Grids	Cast iron grids and enamelled burner covers
Total power	9.750 W
Auxiliary	1.000 W
Semirapid	3x1.750 W
Triple crown	3.500 W
Safety	Safety valve with quick-acting thermocouple
Ignition	Electric ignition under knob
Gas type	Tested for installation with natural gas, LPG nozzle set included.
Type	Gas Hob

## FEATURES

Cast iron grids	Cast-iron is the ideal material for an hob grid, this due to the manifold properties characterising it: high heat capacity that improves cooking performance; high weight and stability that improve safety; sturdiness that preserves the hob's original aspect over time; easy cleaning.
Safe cooking	All Foster cooker hobs are equipped with safety valves. They shut off the gas supply very quickly if the flame accidentally goes out.

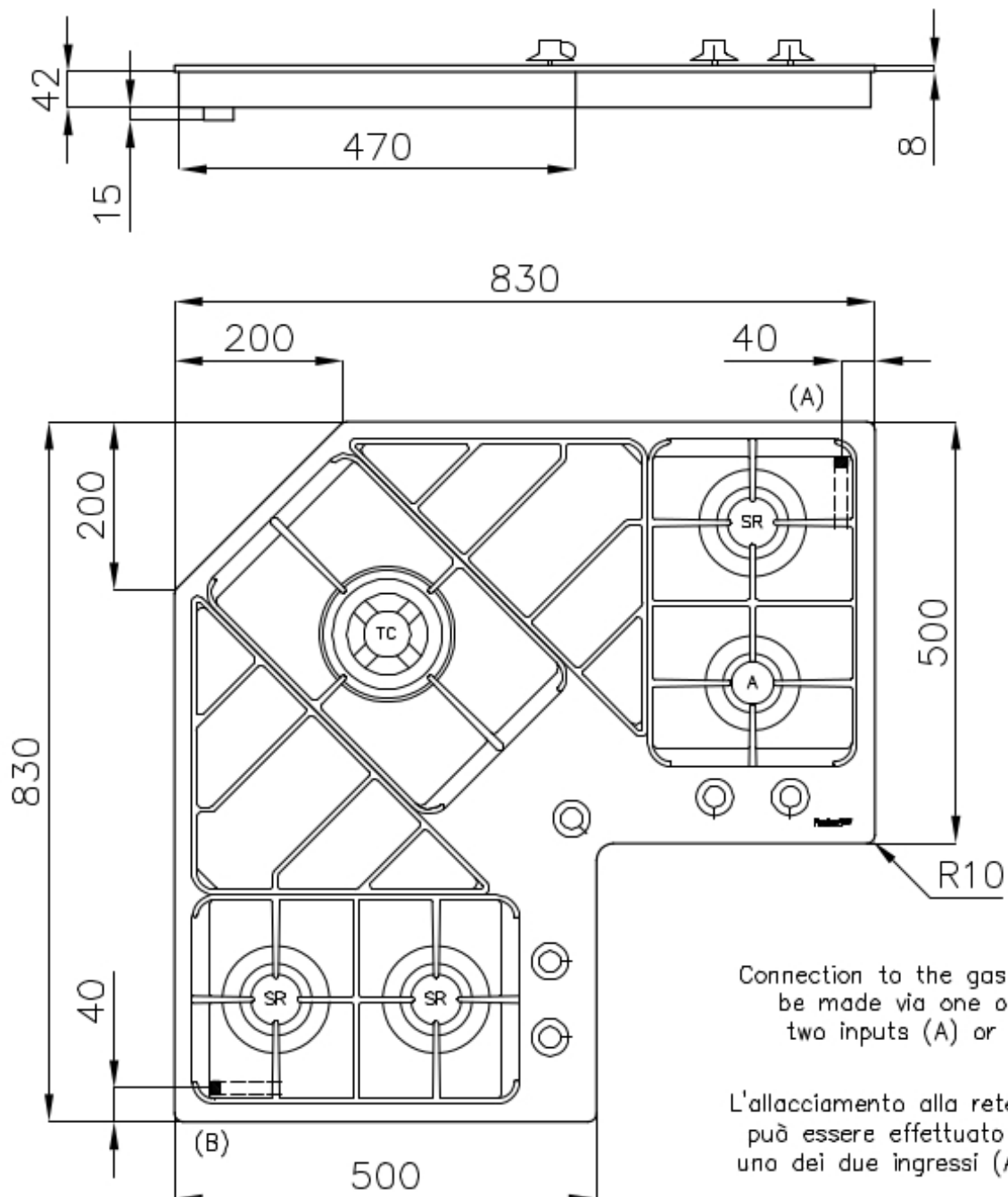
## Special burners

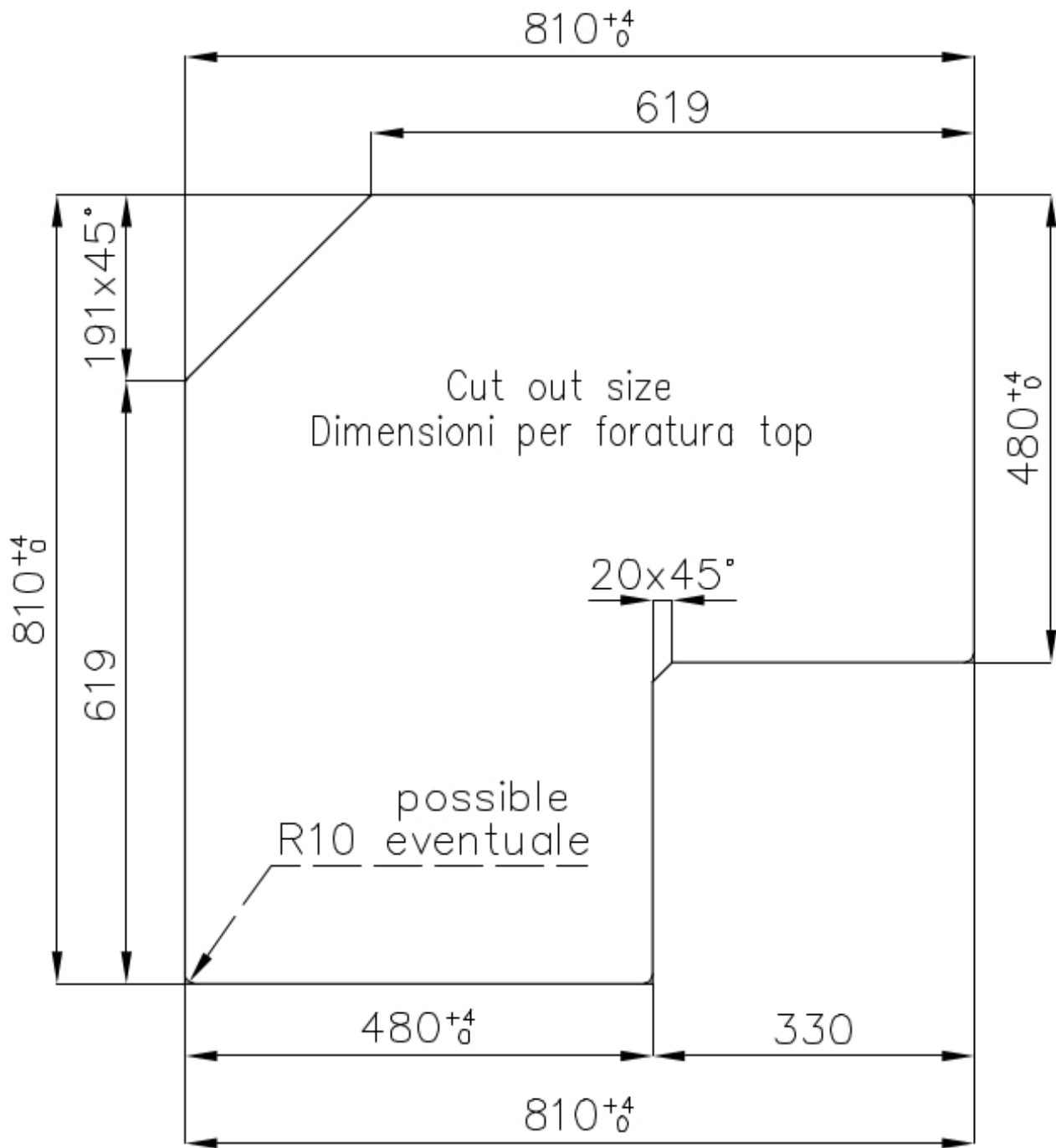
Many Foster hobs are equipped with special burners, with two or three rings of fire that greatly increase the power delivered and the heated surface. In the DUAL models the two fire crowns also have independent ignition, making these burners perfect for both intensive and delicate cooking.

## Under-knob ignition

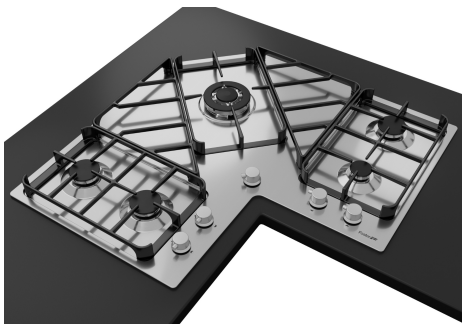
The utmost freedom of movement with electronic under-knob ignition, a common feature of all models that allows a one-hand ignition of the burner.

## TECHNICAL DATA





## GALLERY



## OPTIONAL ACCESSORIES



Cast iron wok support 9601 668

## RECOMMENDED PAIRINGS



Hood Pitagora 2439 003



Sink KE 2211 05x